

X76-RA-4X



SINGLE

POINT

ANNUNCIATOR



E x c e l l e n c e I n M o n i t o r i n g

GENERAL DESCRIPTION

The Ronan Model X76-RA-4X Single Point Annunciator is housed in a NEMA 4X fiberglass enclosure, for protection against high pressure water spray.

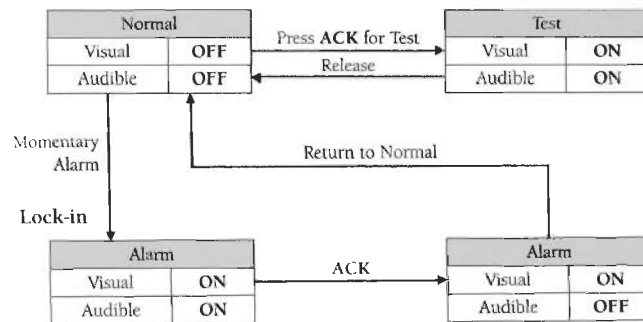
The unit provides for an integral audible and visual alarm when the field contact transfers from normal state to alarm state. The push button/indicator is steady lit with the field contact in alarm condition. The push button allows acknowledgment of the integral audible device. The acknowledged alarm will turn off after the field contact returns to normal.

The push button doubles as test, activating the light and audible momentarily while depressing the push button.

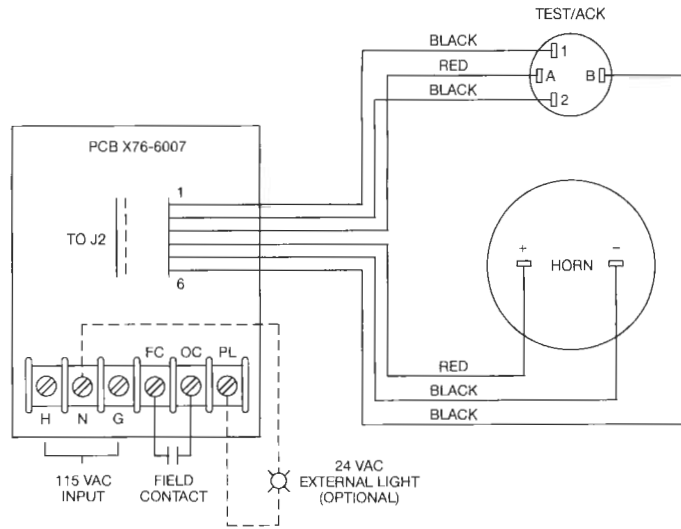
An external light (24 Vac), may be connected between the PL and the Neutral terminals following the same function as the integral alarm light.

The X76-RA-4X is powered from a 115 Vac power source and provides the field contact wetting voltage for the customer's dry contact.

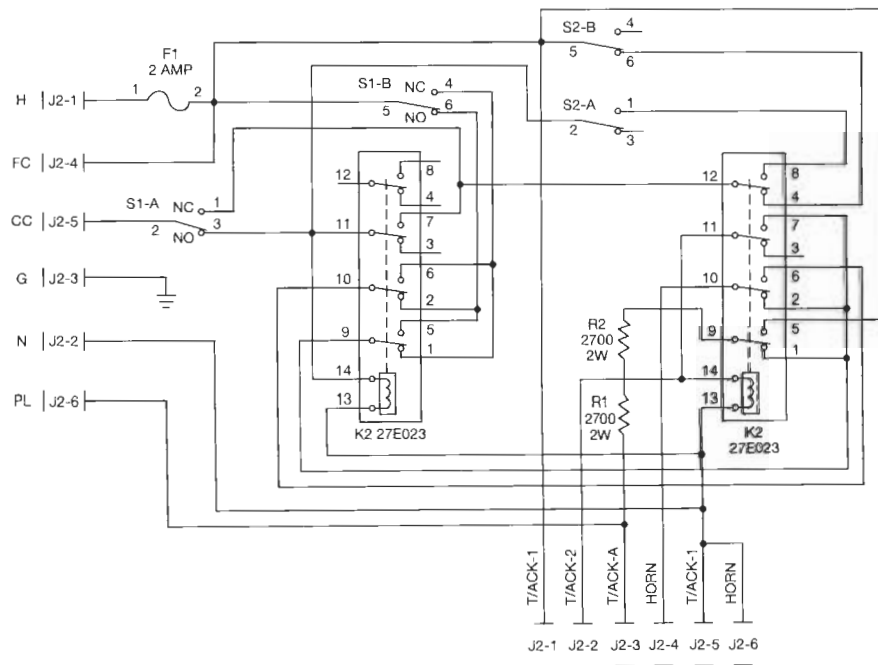
SEQUENCE CHART



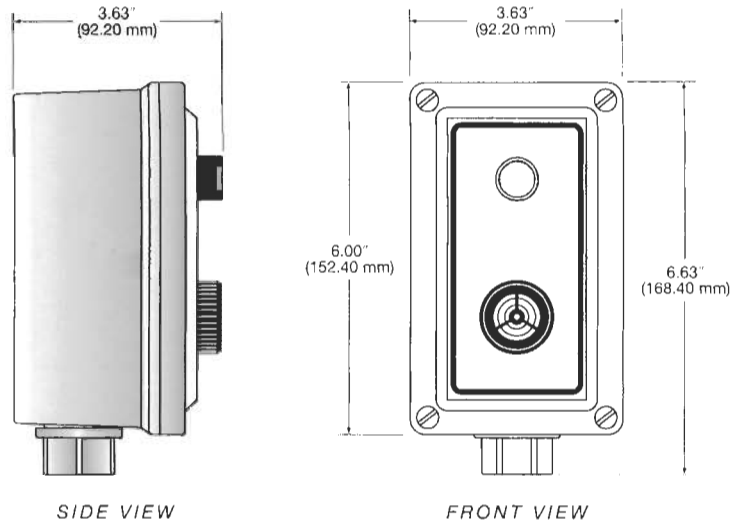
WIRING DIAGRAM



PC BOARD SCHEMATIC



D I M E N S I O N A L D R A W I N G S



T H R E E - Y E A R W A R R A N T Y

Ronan warrants equipment of its own manufacture to be free from defects in material and workmanship, under normal conditions of use and service, and will repair or replace any component found to be defective, on its return, transportation charges prepaid, within three (3) years of its original purchase. This warranty carries no liability, either expressed or implied, beyond our obligations to replace the unit which carries the warranty.



RONAN ENGINEERING COMPANY
Display Product Division

21200 Oxnard Street, Woodland Hills, CA 91367 U.S.A. • 800-327-6626 • Fax 818-992-6435
1 Tilley Road, Crowther Industrial Estate, Washington, Tyne & Wear U.K., NE38 0AE • 191-416-1689 • Fax 191-416-5856
32 Bermondsey Road, Toronto, Ontario, Canada M4B 1Z5 • 416-752-0310 • Fax 416-752-8072

<http://www.ronan.com> E-Mail: ronan@ronan.com

X76-RA-4X Rev.0 10/00

Printed in U.S.A.

E x c e l l e n c e I n M o n i t o r i n g