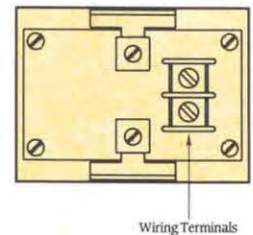
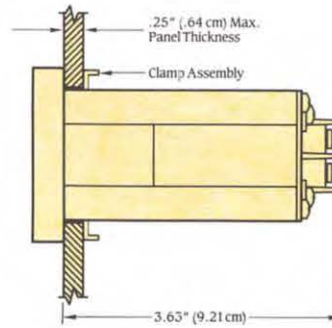
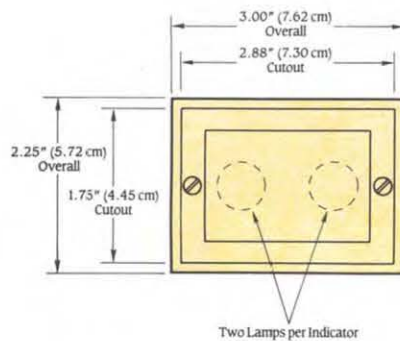


# INDICATORS



The Model X45-100 Indicator has an engravable nameplate size of 1.43 inches  $\times$  2.12 inches. Nameplates are available in amber, blue, green, red and white. The 115 Vac system is illuminated by two 3-Watt lamps. Other voltages are also available with the use of standard S6 lamps.

The Model R100 Pilot Lamp Indicator provides an excellent power-on indication or alarm status. The standard voltage is 115 Vac or 125 Vdc. Other voltages are also available with the use of standard S6 lamps. The R100 is available with red, green, blue, amber or white lenses and is supplied with gaskets to meet NEMA 12 standards on panel face.



Models LB1, LB2, LB3 and LB4 are single cabinet module indicators based on the popular LB series.

## NAMEPLATE SIZE

**LB1**—2.75" (6.99 cm) high  $\times$  3.00" (7.60 cm) wide.

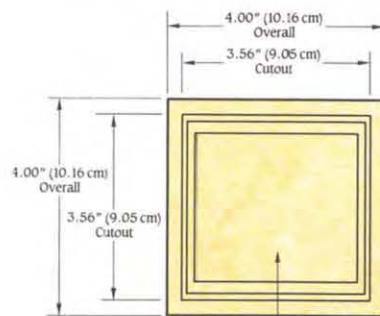
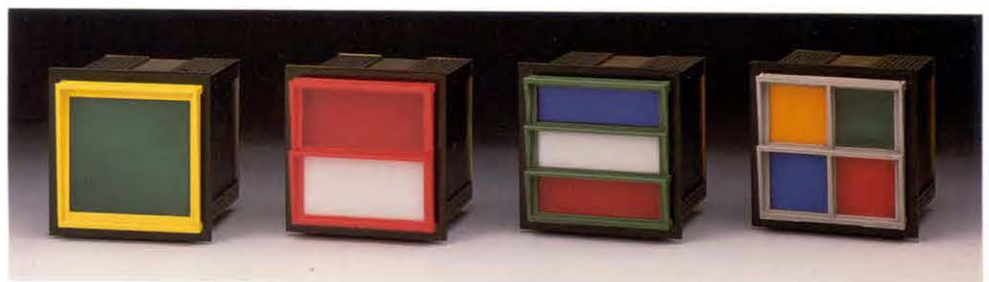
Two 6-Watt lamps per window.

**LB2**—1.4" (3.56 cm) high  $\times$  3.00" (7.62 cm) wide. Two 3-Watt lamps per window.

**LB3**—.86" (2.18 cm) high  $\times$  3.00" (7.62 cm) wide. Two 3-Watt lamps per window.

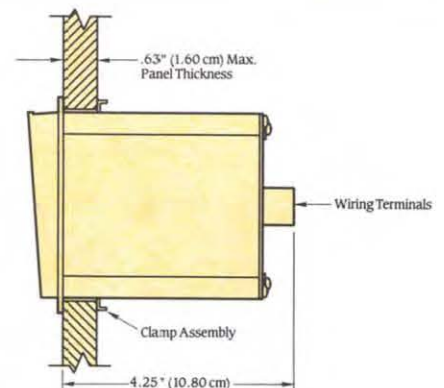
**LB4**—1.4" (3.56 cm) high  $\times$  1.4" (3.56 cm) wide. One 3-Watt lamp per window.

Note: 24, 48 and 120 Vac or Vdc lamps available.



Model LB1

2.75" (6.99 cm) High  $\times$  3.00" (7.62 cm) Wide Window



# INDICATORS

The Models X18-100 and X18-200 Compact Indicators are full voltage and have dual lamp indicators. There is no need for resistors or transformers on 115 Vac service. Both models are suitable for mounting in groups either vertically or horizontally. The X18-200 utilizes two individually wired lenses in one unit. Lenses on both models are available in a choice of 5 colors. Lens surfaces may be engraved. Wire terminals are combination screw type/solderless tabs.

## SPECIFICATIONS

**Panel Cutout:** Single Mounting— $.91''$  (2.31 cm) High  $\times$   $1.84''$  (4.69 cm) Wide. Multiple Mounting—Horizontally, add  $2.02''$  (5.12 cm) per additional unit. Vertically, add  $1.02''$  (2.58 cm) per additional unit.

**Nameplate Size:** Model X18-100— $.75''$  (1.90 cm) High  $\times$   $1.56''$  (3.82 cm) Wide. Model X18-200— $.75''$  (1.90 cm) High  $\times$   $.75''$  (1.90 cm) Wide.

**Standard Voltages:** 6, 12, 24, 28, 48, 60, 20.

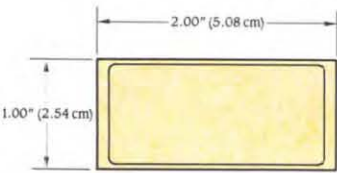
**Lens Colors:** Amber, Blue, Green, Red, White.



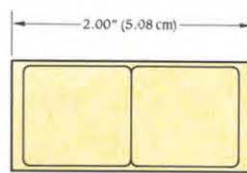
Horizontal Arrangement



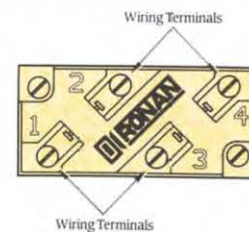
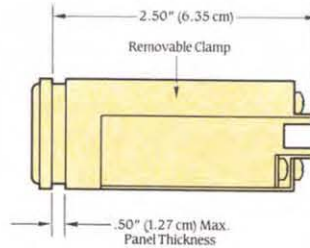
Vertical Arrangement



Model X18-100



Model X18-200



The Model X18-300 is a full voltage, single lamp indicator which needs no resistors or transformers on 115 Vac service. It is suitable for mounting in groups either vertically or horizontally. The lenses may be engraved. Wire terminals are combination screw type/solderless tabs.

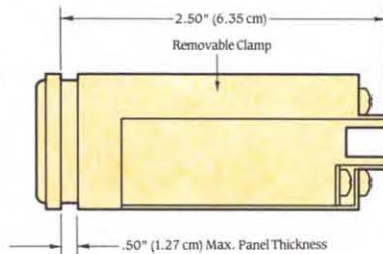
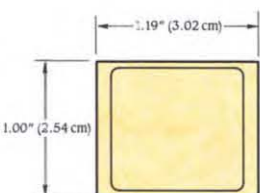
## SPECIFICATIONS

**Panel Cutout:** Single Mounting— $.91''$  (2.31 cm) High  $\times$   $.98''$  (2.48 cm) Wide. Multiple Mounting—Horizontally, add  $1.19''$  (3.02 cm) per additional unit. Vertically, add  $1.02''$  (2.58 cm) per additional unit.

**Nameplate Size:**  $.75''$  (1.90 cm) High  $\times$   $.75''$  (1.90 cm) Wide.

**Standard Voltages:** 6, 12, 24, 28, 48, 60, 120.

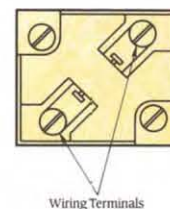
**Lens Colors:** Amber, Blue, Green, Red, White.



Horizontal Arrangement



Vertical Arrangement



Wiring Terminals



# INDICATORS



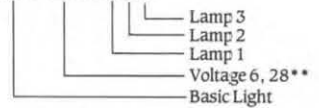
The Model XID3 Tri-Color Indicator Lights combine craftsmanship with convenience to be quickly and easily applied to your specific needs: production testing, process instrumentation, control panels, alarm indicators, graphic displays, etc.

They are small in size, measuring 2-7/16 inches long and 1 inch in diameter. The lens is engravable acrylic with excellent side vision up to 180°. Lamps are available in a choice of three of the five standard colors (for each lamp). The indicators are completely enclosed (dustproof), keyed for proper orientation and may be mounted on 1-1/8 inch centers. The terminals accept soldered, taper pin or screw connections. The XID3 carries CSA approval.

No tools are required for the easy front-of-panel replacement of lamps. Each lamp may be wired individually, thus eliminating the use of common connections.

## To Order (Example)\*

XID3-28A-RGA

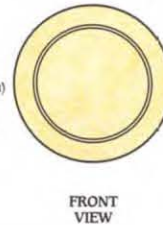
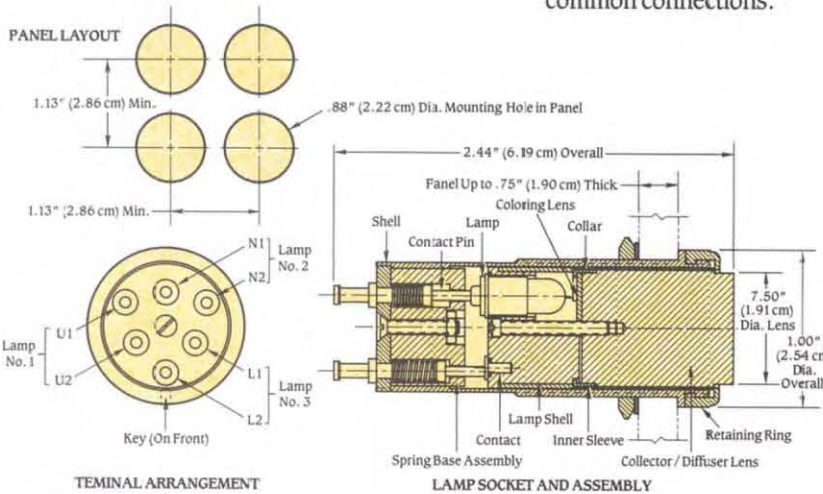


\*This would be a light containing three 28 V lamps plus a red lens, green lens and an amber lens.

\*\*No. 328-1000 hr., 6-6 V, 200 mA  
No. 327-4000 hr., 28A-28 V, 40 mA  
No. 387-7000 hr., 28B-28 V, 40 mA

## Lens Colors

- R (Red)
- G (Green)
- A (Amber)
- B (Blue)
- W (White)



# NEMA 12 & 4 DOORS

NEMA 12 and 4 Doors, built especially for Series LB and Series LC Lamp Cabinets, are used to completely seal the fronts of cabinets against moisture or corrosive atmosphere.

Each door assembly houses a clear acrylic window which is sealed with neoprene gaskets. Extra gasketing is supplied for sealing between the door frame and the control panel.



## To Order:

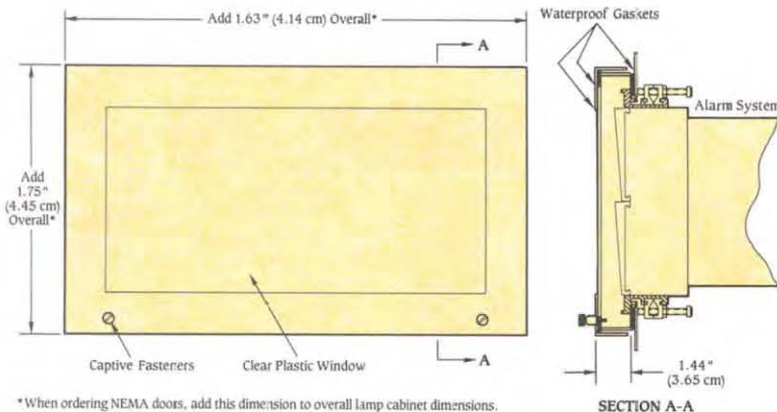
23X3-1022-NEMA 12 or 4 Door

- └─ Windows Wide
- └─ Windows High

NEMA Doors are suitable for the following:

LB-1000 and LC-1000—2 Windows High x 3 Windows Wide  
LB-2000 and LC-2000—4 Windows High x 3 Windows Wide  
LB-3000 and LC-3000—6 Windows High x 3 Windows Wide  
LB-4000 and LC-4000—4 Windows High x 6 Windows Wide  
Specify NEMA 12 or NEMA 4. NEMA doors are available on request for LB-1500, LB-2200, LB-2448 and LB-3500. The hinge on a standard door is provided on the longest side. Contact factory for special requirements.

12



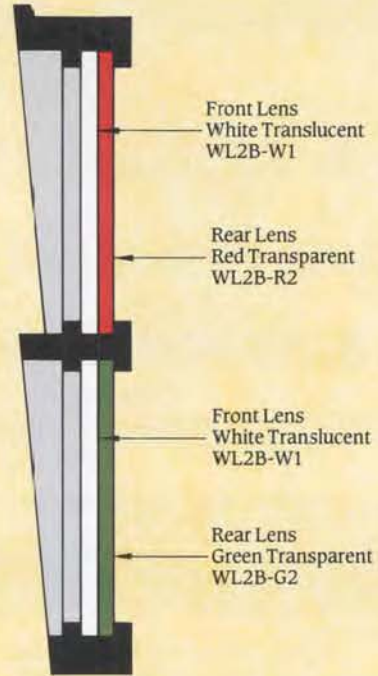
\*When ordering NEMA doors, add this dimension to overall lamp cabinet dimensions.

# NAMEPLATE ENGRAVING DETAILS

.....

A complete line of sandwich-type lenses is available on most lamp cabinets.\* With these lenses, the need for color caps and their effect of reducing lamp life are eliminated. Sandwich lenses provide an even distribution of color behind the front lens. These type lenses are recommended when a color display behind the white lens is required to indicate alarm functions such as high or low, or to distinguish between alarm and shutdown functions. The Standard sandwich lens is available with white front lens and black engraved letters. Consult factory for special applications.

\*Not available on LB-2100 and LB2200 cabinets.



Model X45-100



Model X18-300



Model X18-200



Model X18-100



Model X1D3





# NAMEPLATE ENGRAVING DETAILS

.....

Letter Size      Characters per Line      Number of Lines



Lamp Cabinet LB-1000, LC-1000  
Lens WL1; Bezel WB1-( )\*



Lamp Cabinet LB-2000, LC-2000  
Lens WL2; Bezel WB2-( )\*



Lamp Cabinet LB-3000; LC-3000  
Lens WL3; Bezel WB3-( )\*



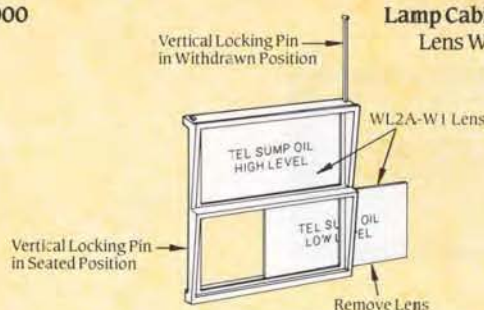
Lamp Cabinet LB-4000, LC-4000  
Lens WL4; Bezel WB4-( )\*

## \* BEZEL COLORS

- |             |              |             |
|-------------|--------------|-------------|
| ■ Black (0) | ■ Yellow (4) | ■ Grey (8)  |
| ■ Brown (1) | ■ Green (5)  | ■ White (9) |
| ■ Red (2)   | ■ Blue (6)   |             |

## TO ORDER: (Example)

WB2-(0) = Black Bezel for LB-2000  
WB1-(2) = Red Bezel for LC-1000



## NAMEPLATE INSTALLATION

The window lenses are inserted into channeled grooves and retained with vertical locking pins as shown. This design permits the relocation of individual legends without re-engraving nameplates.



# NAMEPLATE ENGRAVING DETAILS

.....



Lamp Cabinet LB-1500  
Lens WL15-( )\*( )\*\*; Bezel WB15-(Black Only)



Lamp Cabinet LB-2448  
Lens WL24-( )\*( )\*\*; Bezel WB24-( )\*\*\*



Lamp Cabinet LB-2100  
Lens WL21-( )\*( )\*\*; Bezel WB21-( )\*\*\*



Lamp Cabinet LB-5500  
Lens WL55-1/16-( )\*\*; Bezel WB55-(Black Only)



Lamp Cabinet LB-2200  
Lens WL22-( )\*( )\*\*; Bezel WB22-( )\*\*\*



Lamp Cabinet LB-3500  
Lens WL35-( )\*( )\*\*; Bezel WB35-( )\*\*\*  
Bezel is Anodized Aluminum.  
Colors available are: Black, White, Red, Blue, Green

## \* NAMEPLATE SIZE

- 1/8" Thick (A)
- 1/16" Thick (B)

## \*\* LENS COLORS

- |                                     |                                     |
|-------------------------------------|-------------------------------------|
| <input type="checkbox"/> Red (2)    | <input type="checkbox"/> Blue (6)   |
| <input type="checkbox"/> Yellow (4) | <input type="checkbox"/> White (9)  |
| <input type="checkbox"/> Green (5)  | <input type="checkbox"/> Amber (10) |

## \*\*\* BEZEL COLORS

- |                                     |                                    |
|-------------------------------------|------------------------------------|
| <input type="checkbox"/> Black (0)  | <input type="checkbox"/> Green (5) |
| <input type="checkbox"/> Brown (1)  | <input type="checkbox"/> Blue (6)  |
| <input type="checkbox"/> Red (2)    | <input type="checkbox"/> Grey (8)  |
| <input type="checkbox"/> Yellow (4) | <input type="checkbox"/> White (9) |



## LAMP STYLES/RATINGS

Display Types LB-1000, LB-2000, LB-3000, LB-4000,  
LC-1000, LC-2000, LC-3000, LC-4000, LB1, LB2, LB3,  
LB4, LB2100, LB-2200, LB-2448 and LB-3500:

24 Vac or Vdc, Lamp No. 1829, Bayonet Base, 2 W.  
24 Vac or Vdc, Lamp No. 1224K, Bayonet Base, 3 W.  
48 Vac or Vdc, Lamp No. 1835, Bayonet Base, 2 W.  
120 Vac, Lamp No. 6S6SC/120, Screw Base, 6 W.  
125 Vdc, Lamp No. 6S6SC/145, Screw Base, 6 W.

Display Types X45 and R100:

120 Vdc, Lamp No. 3S6SC/120, Screw Base, 3 W.  
125 Vdc, Lamp No. 3S6SC/130, Screw Base, 3 W.

Display Type X18:

6 Vac or Vdc, Lamp No. 6 MB, Bayonet Base, 1 W.  
12 Vac or Vdc, Lamp No. 12 MB, Bayonet Base, 2 W.  
24 Vac or Vdc, Lamp No. 28 MB, Bayonet Base, 1.5 W.  
48 Vac or Vdc, Lamp No. 48 MB, Bayonet Base, 2.5 W.  
60 Vac or Vdc, Lamp No. 60 MB, Bayonet Base, 3 W.  
120 Vac or Vdc, Lamp No. 120 MB, Bayonet Base, 3 W.

Display Types X1D3 and LB-1500

28 Vac or Vdc, Lamp No. 327, Miniature Base, 1 W.  
28 Vac or Vdc, Lamp No. 387, Miniature Base, 1 W.  
6 Vac or Vdc, Lamp No. 328, Miniature Base, 1.5 W.

.....

## WARRANTY

Ronan warrants equipment of its own manufacture to be free from defects in material and workmanship, under normal conditions of use and service, and will replace any component found to be defective, on its return, transportation charges prepaid, within one year of its original purchase. This warranty carries no liability, either expressed or implied, beyond our obligations to replace the unit which carries the warranty.

.....



**RONAN ENGINEERING  
COMPANY**  
21200 Oxnard Street  
Woodland Hills  
California 91367 U.S.A.  
(800) 327-6626  
FAX (818) 992-6435  
E-Mail: [info@ronan.com](mailto:info@ronan.com)  
Web Site: <http://www.ronan.com>

**RONAN ENGINEERING  
LIMITED U.K.**  
1 Tilley Road  
Crowther Industrial Estate  
Washington, Tyne and Wear  
United Kingdom, NE38-OEA  
(191) 416-1689  
FAX (191) 416-5856

**RONAN ENGINEERING  
LIMITED**  
32 Bermondsey Road  
Toronto, Ontario  
Canada M4B1Z5  
(416) 752-0310  
FAX (416) 752-8072

**RONAN ENGINEERING  
PTY. LTD.**  
Unit 10, 8 Leighton Place  
Hornsby, N.S.W. 2077  
Australia  
(02) 9477-7344  
FAX (02) 9477-6151